

Free Space Optical Isolator

(405-1060nm, TGG Crystal)

DATASHEET

BUY NOW 



The OITG Series Free Space optical Isolator is a unidirectional light valve that transmits light in the normal direction while blocking back-reflection and backscattering in the reverse direction. The device protects a laser source from destabilizing feedback or damage from back-reflected light. The OITG isolators are based on high-quality TGG Faraday crystals of low loss and high optical power threshold. High-power fused silica PBS cubes are used for polarization filtering and a waveplate is optional to rotate the polarization of the output beam to a desired direction. Double escape ports are built-in for added application flexibility.

It is available with options of wavelength tunable configuration, thin film polacores for compactness, integrated tap monitor for feedback. Agiltron excels at providing customized design solutions to meet special applications.

Features

- Low Insertion Loss
- High Isolation
- High Stability
- High Reliability
- Cost Effective

Specifications

Parameter	Min	Typical	Max	Unit
Center Wavelength	450		1060	nm
Insertion Loss		0.3	0.6	dB
Wavelength Dependent Loss			0.2	dB
Isolation Single Stage	25	35	38	dB
Isolation Double Stage	40	45	55	dB
Optical Aperture Ø	2	5	40	mm
Pulse Damage Threshold @10ns	3.5		5	J/cm ²
Operating Temperature	-10		45	°C
Polarizer Type	Horizontal			
Polarizer Type	PBS Cube, Polacore			

Note: For a polarized input light version, the isolation is optimized to block the light reflection of the same polarization. Although lights of other polarizations may also be blocked, the extinction may be poor. PM isolators can be specially made to block backward propagating lights of all polarizations. PM isolators can also be made with a light polarizing function.

Applications

- Optic Sensor
- Laser Systems
- Test and Measurement
- Instrumentation

Legal notices: All product information is believed to be accurate and is subject to change without notice. Information contained herein shall legally bind Agiltron only if it is specifically incorporated into the terms and conditions of a sales agreement. Some specific combinations of options may not be available. The user assumes all risks and liability whatsoever in connection with the use of a product or its application.

Rev 04/02/24

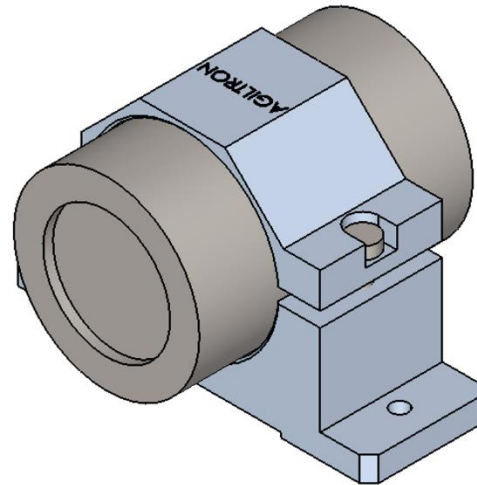
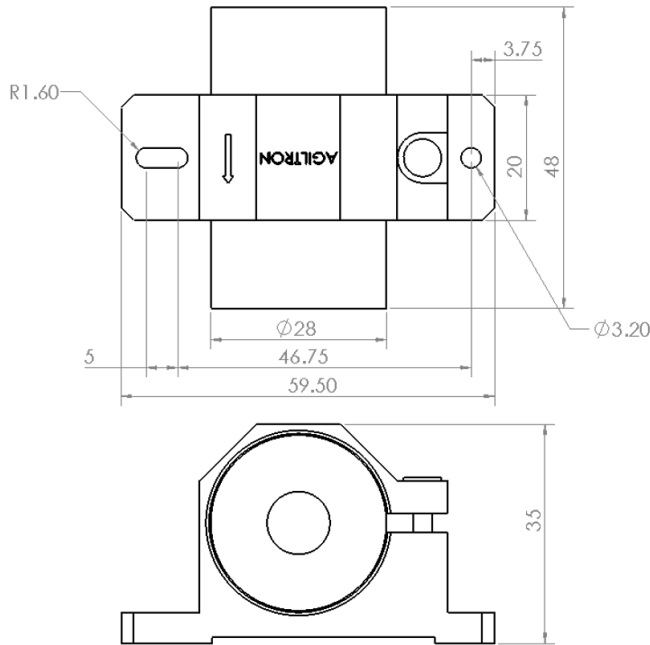
Free Space Optical Isolator

(405-1060nm, TGG Crystal)

DATASHEET

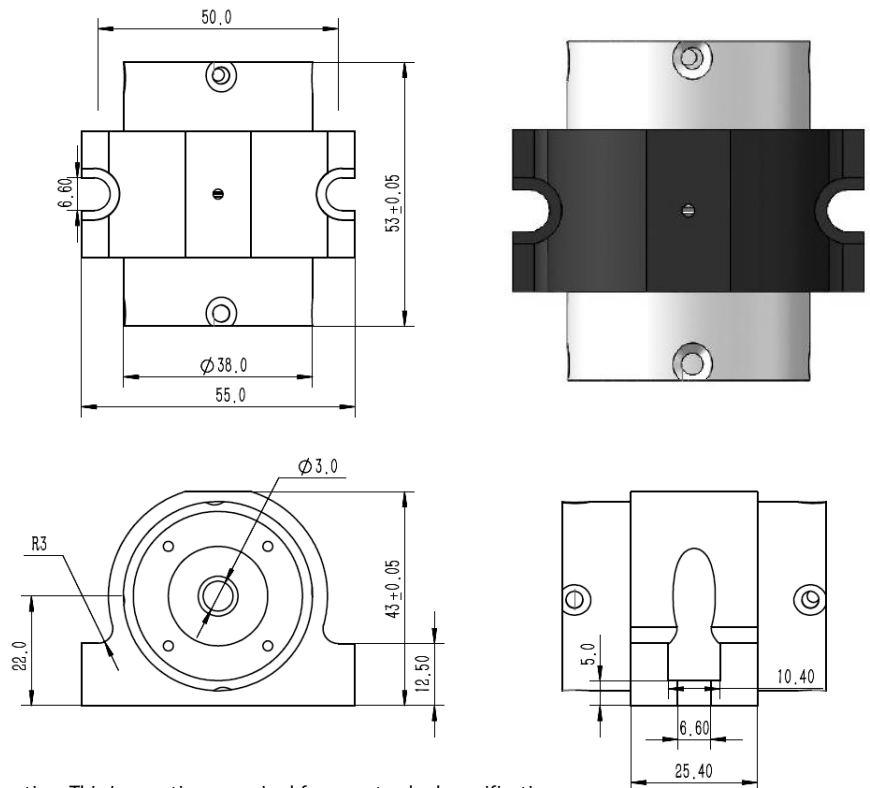
Mechanical Dimensions (mm)

Note: The listed dimensions are for using thin polacore, for PBS version both ends add about 5mm extrusions



2 mm Aperture

Polarizer Type: High Power(HP)
 Transmission@1020-1060nm >92%
 Clear Aperture: 3mm/5mm
 Optical Rotation: 45.5°
 Damage Threshold: 10J/cm²@10ns



3 / 5 mm Aperture

*Product dimensions may change without notice. This is sometimes required for non-standard specifications.

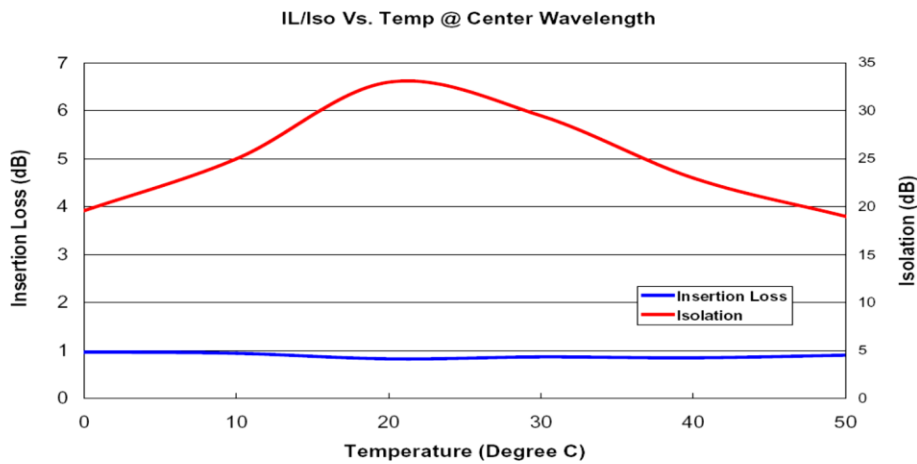
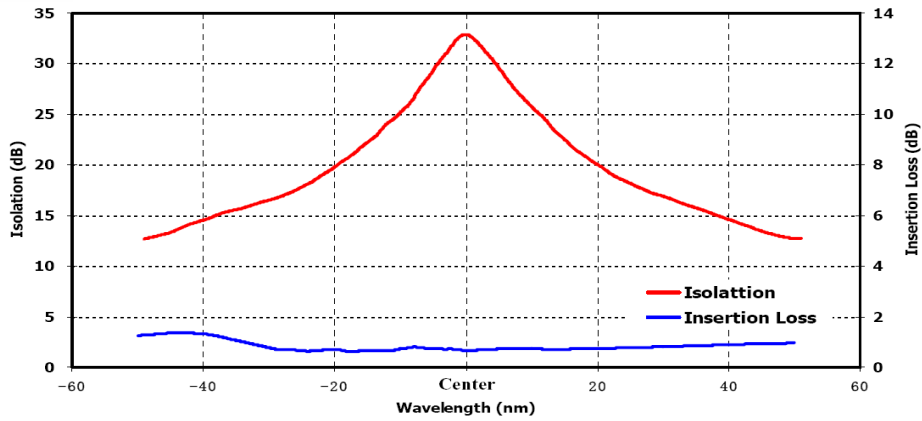
Free Space Optical Isolator

(405-1060nm, TGG Crystal)



DATASHEET

Optical Performance (single Stage)



Free Space Optical Isolator

(405-1060nm, TGG Crystal)

DATASHEET

Ordering Information

Prefix	Type	Wavelength (nm)	Isolation Stage	Aperture	Power Handling	Waveplate Rotation	Mounting Plate	Polarizer
OITG-	Free Space = 1 Special = 0	1060 =16 1050 =15 1030 =13 980 =98 940 =94 895 =89 850 =85 830 =83 780 =78 633 =63 660 =66 670 =67 589 =58 560 =56 532 =53 488 =48 440 =44 405 =40	Single = 1 Double = 2 Special = 0	2mm = 1 3mm = 2 5mm = 5 8mm = 8 10mm = A 25mm = B 40mm = C	0.2W = 1 1W = 2 5W = 5 10W = 6 15W = 7 Special = 0	Yes = 1 No = 0	Yes = 1 No = 0	PBS= 1 Polacore = 2 Non = 3